



Build a microbat roostbox

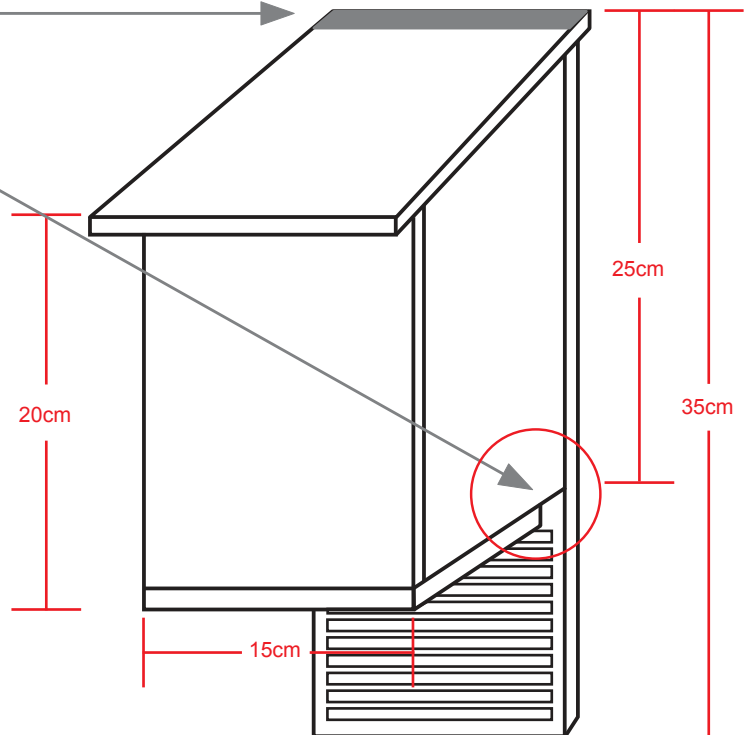
Below is a plan for the construction of a roosting box suitable for most Australian Microbats. Materials used, and notes are below the plan. Please note that all sizes marked are for external dimensions.

Rubber waterproof hinge strip

15-20mm rear entry slit to allow access

Line the inside with shade cloth stapled on to allow the bats to grip.
NB: You may want to cut a third side piece to add as an internal divider. Bats like to huddle.

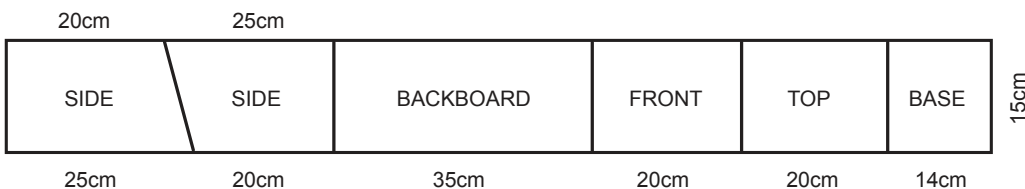
Backboard with either bark, grooves or shade cloth tacked on to act as a 'landing pad'.



Microbat roostboxes keep microbats out of your roof and walls

Roostbox pieces cut from a single plank

Base is approximately 14cm. Depending on the thickness of the wood used, you need to cut this piece to leave an entry slit of between 15-20mm



You will need: The best materials for construction are either 3cm thick plantation pine or structural or external pine plywood. Rough-sawn or even secondhand timber is ideal, although you must make sure it is free of nails and paint.

Adult assistance will be required to make this microbat roostbox.

Roostbox plan from Tweed Valley Wildlife Carers